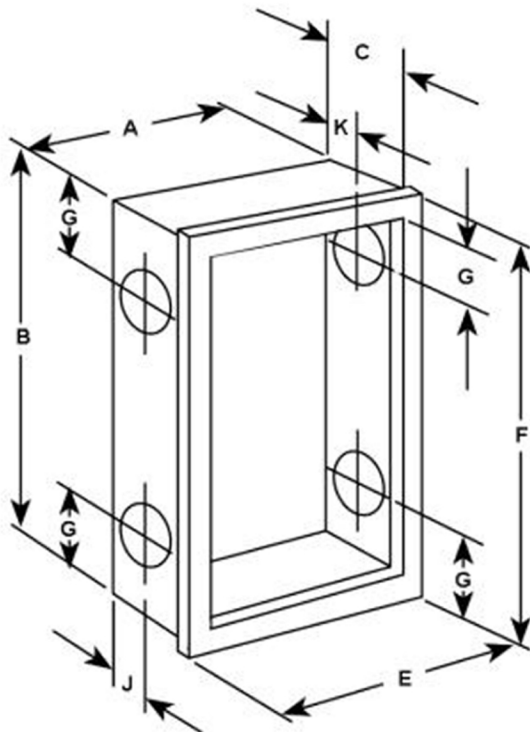
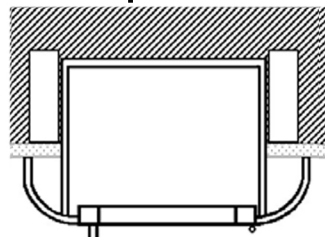


# SEMI-RECESSED STAINLESS STEEL ROLLED EDGE SUBMITTAL : DIMENSIONS

DOOR SERIES #	Tub I.D.			Frame O.D.		Wall Opening			Knockout Locations		
	A	B	C	E	F	W	H	D	J	G	H
6037	24	30	6	27 3/8	33 3/8	25	31	3 5/8	Specify When Ordering		
6137	24	30	8	27 3/8	33 3/8	25	31	5 5/8	4	4	2 1/2
6237	24	34 3/4	6	27 3/8	38 1/8	25	35 3/4	3 5/8	Specify When Ordering		
6437	24	34 3/4	8	27 3/8	38 1/8	25	35 3/4	5 5/8	4	4	2 1/2
6637	24	38 3/4	8	27 3/8	42 1/8	25	39 3/4	5 5/8	4	4	2 1/2
6337	30	30	8	33 3/8	33 3/8	31	31	5 5/8	4	4	2 1/2
6537	32 3/4	34 3/4	8	36 1/8	38 1/8	33 3/4	35 3/4	5 5/8	4	4	2 1/2
7237	32 3/4	38 3/4	8	36 1/8	42 1/8	33 3/4	39 3/4	5 5/8	4	4	2 1/2



**Top View**



**Rolled Edge**

Custom knockout locations available by request